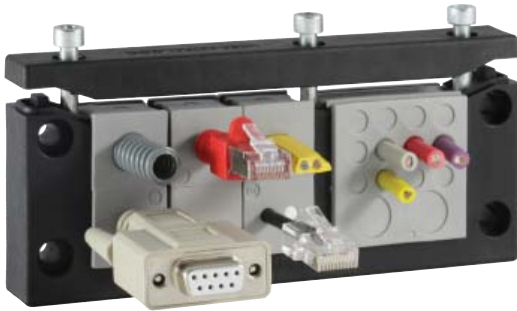


KEL-U 24

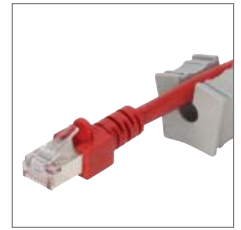
Cable Entry Frames



Also available with stainless steel screws (V2A).



Also available with threaded bushings.



Slit KT grommets

1

IP54

Description	Type	Order No.	Grommets small large	PU
-------------	------	-----------	---------------------------	----

Product Description

Split cable entry system for routing pre-terminated cables providing an IP54 / IP65 / up to NEMA type 4X rating. Routing, sealing and providing strain relief for cable diameters from 1 to 35 mm. The new cable entry system is easy to install. Cable grommets are placed into compartments in the frame and are securely fixed to the frame during assembly. The KEL-U 24 frame matches exactly the cut-out dimensions for 24-pin standard industrial connectors. Either a cut-out of 36 mm or 46 mm in height can be chosen depending on the cables being routed. A flat rubber gasket is included in the shipment.

Advantages & Benefits

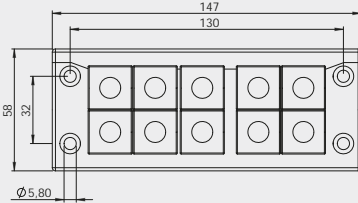
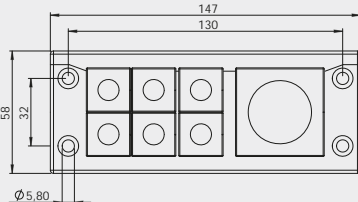
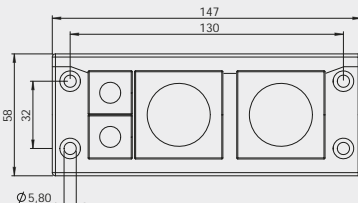
- Fast and easy assembly
- Warranty on pre-terminated cables remains
- Retrofits, repairs and maintenance can be done much more easily and quickly
- High cable density, wide variety of grommets
- Strain relief according to EN 62444
- High stability, vibration resistant

Specifications

Material	Polyamide (PA)
Flame class	UL94-V0
IP Rating	IP54, with gasket and correct selection of cable grommets (certified acc. to EN 60529)
NEMA type rating	NEMA type 12 (acc. to UL 50E)
Temperature	- 40°C to + 140°C (static) - 40°F to + 284°F (static)
Properties	Halogen-free, silicone-free
Cut-out dimensions	36 x 112 mm / page 200 - 201
Frame depth	17 mm

Accessories

Cable grommets	44 - 48
KEL-SNAP Mounting frames	31
KEL-EMC Grounding mounts	126 - 128
KDR Gland plates	146 - 153
FP Flange plates	160 - 165
MP Module plates	156 - 157
ST Plugs	49

	KEL-U 24 10	54241	10 -	10
	KEL-U 24 10 with V2A screws	54241.200	10 -	10
	KEL-U 24 7	54247	6 1	10
	KEL-U 24 7 with V2A screws	54247.200	6 1	10
	KEL-U 24 4	54244	2 2	10
	KEL-U 24 4 with V2A screws	54244.200	2 2	10

KEL-U 16

Cable Entry Frames



Slit KT grommets



V2A anti-corrosive

Also available with stainless steel screws (V2A).



Also available with threaded bushings.



Description	Type	Order No.	Grommets small large	PU
-------------	------	-----------	---------------------------	----

Product Description

Split cable entry system for routing cables with connectors, providing an IP54 / up to NEMA type 12 rating. Routing, sealing and providing strain relief for cable diameters from 1 to 35 mm. The new cable entry system is easy to install. Cable grommets are placed into compartments in the frame and are securely fixed to the frame during assembly. The KEL-U 16 frame matches exactly the cut-out dimensions for 16-pin standard industrial connectors. Either a cut-out of 36 mm or 46 mm in height can be chosen depending on the cables being routed. A flat rubber gasket is included in the shipment.

Advantages & Benefits

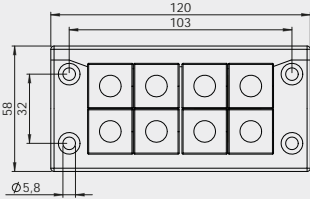
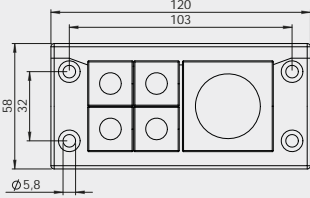
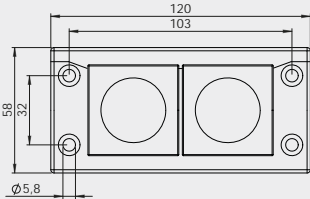
- Fast and easy assembly
- Warranty on pre-terminated cables remains
- Retrofits, repairs and maintenance can be done much more easily and quickly
- High cable density, wide variety of grommets
- Strain relief according to EN 62444
- High stability, vibration resistant

Specifications

Material	Polyamide (PA)
Flame class	UL94-Vo
IP rating	IP54, with gasket and correct selection of cable grommets (certified acc. to EN 60529)
NEMA type rating	NEMA type 12 (acc. to UL 50E)
Temperature	- 40°C to + 140°C (static) - 40°F to + 284°F (static)
Properties	Halogen-free, silicone-free
Cut-out dimensions	36/46 × 86 mm / Page 200 - 201
Frame depth	17 mm

Accessories

Cable grommets	44 - 48
KEL-SNAP Mounting frames	31
KEL-EMC Grounding mounts	126 - 128
KDR Gland plates	146 - 153
FP Flange plates	160 - 165
ST Plugs	49

	KEL-U 16 8	54168	8 -	10
	KEL-U 16 8 with V2A screws	54168.200	8 -	10
	KEL-U 16 5	54165	4 1	10
	KEL-U 16 5 with V2A screws	54165.200	4 1	10
	KEL-U 16 2	54162	- 2	10
	KEL-U 16 2 with V2A screws	54162.200	- 2	10

KEL-JUMBO

Cable Entry Frames for Supply Cables



V2A anti-corrosive
Also available with stainless steel screws (V2A).

1

Description	Type	Order No.	Dimension length width height	PU
-------------	------	-----------	--------------------------------------	----

Product Description

The KEL-JUMBO cable entry system for installation of cables and conduits with a diameter of up to 65 mm, especially suited for supply cables.

The innovative grommet design with the flex-membrane provides flexing and adjustment of the position for larger and more rigid cables.

We recommend round cut-outs, which can be made using standard punching tools.

Suggested cut-out: cable diameter +15 - 20%.
A flat rubber gasket is included in the shipment.

Advantages & Benefits

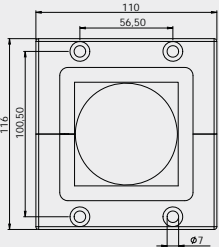
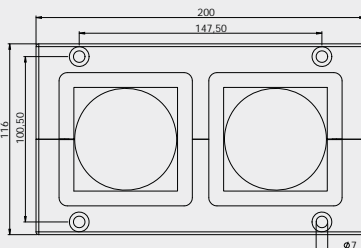
- Installation of cables up to 65 mm
- KTF grommets allow flexing and adjustment of the cable position
- Retrofitting and maintenance can be carried out easily and quickly
- Strain relief according to EN 62444

Specifications

Material	Polyamide (PA)
Flame class	UL94-Vo
IP rating	IP54
NEMA type rating	NEMA type 12 (acc. to UL 50E)
Temperature	- 40°C to + 140°C (static) - 40°F to + 284°F (static)
Properties	Halogen-free, silicone-free
Cut-out dimensions	Round, cable diameter +15%
Frame depth	35 mm

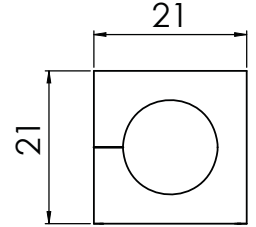
Accessories

KTF Cable grommets	37
KDR-ESR Gland plates	146 - 149
KDR2 Split Gland plates	150 - 151
MP Module plates	156 - 157

	KEL-JUMBO 1	42360	110 × 116 × 35	1
	KEL-JUMBO 1 with V2A screws	42360.200	110 × 116 × 35	1
	KEL-JUMBO 2	42350	200 × 116 × 35	1
	KEL-JUMBO 2 with V2A screws	42350.200	200 × 116 × 35	1

KT

Grommets, small, single



1

Product Description

Cable grommets KT small are used with the following cable entry frames:

KEL-U/KEL-ER/KEL-FG/KEL (8 - 36) | KVT (38 - 42)

The model range KT small is designed for cable diameters from 1 to 17 mm.

Assembly Note

When installing the grommets, the flat side should be facing the middle of the frame. This allows the flat sides of adjacent grommets to match up and provide a secure seal.

Specifications KT gray

Material	Elastomer
Flame class	UL94-Vo
IP rating	KT round, single: up to IP65 (in combination with KEL-ER frame) KT special/blank: IP54
NEMA type rating	up to NEMA type 4X (acc. to UL 50E)
Temperature	- 40°C to + 90°C (static) - 40°F to + 194°F (static)
Properties	Halogen-free, silicone-free

Specifications KT black

Material	Elastomer
Flame class	UL94-HB
IP rating	KT round, single: up to IP65 (in combination with KEL-ER frame) KT special/blank: IP54
NEMA type rating	up to NEMA type 4X (acc. to UL 50E)
Temperature	- 30°C to + 90°C (static) - 40°F to + 194°F (static)
Properties	Higher chemical resistance

Accessories

Description	Type	Order No gray	Order No black	Clamping range	PU
BTK		<input type="checkbox"/> 41251	<input checked="" type="checkbox"/> 41351	Blank grommet	10
KT round	KT 1	<input checked="" type="checkbox"/> 39941	<input checked="" type="checkbox"/> 39943	1 - 2 mm	10
	KT 2	<input type="checkbox"/> 39934	<input checked="" type="checkbox"/> 41302	2 - 3 mm	10
	KT 3	<input type="checkbox"/> 41203	<input checked="" type="checkbox"/> 41303	3 - 4 mm	10
	KT 4	<input type="checkbox"/> 41204	<input checked="" type="checkbox"/> 41304	4 - 5 mm	10
	KT 5	<input type="checkbox"/> 41205	<input checked="" type="checkbox"/> 41305	5 - 6 mm	10
	KT 6	<input type="checkbox"/> 41206	<input checked="" type="checkbox"/> 41306	6 - 7 mm	10
	KT 7	<input type="checkbox"/> 41207	<input checked="" type="checkbox"/> 41307	7 - 8 mm	10
	KT 8	<input type="checkbox"/> 41208	<input checked="" type="checkbox"/> 41308	8 - 9 mm	10
	KT 9	<input type="checkbox"/> 41209	<input checked="" type="checkbox"/> 41309	9 - 10 mm	10
	KT 10	<input type="checkbox"/> 41210	<input checked="" type="checkbox"/> 41310	10 - 11 mm	10
	KT 11	<input type="checkbox"/> 41211	<input checked="" type="checkbox"/> 41311	11 - 12 mm	10
	KT 12	<input type="checkbox"/> 41212	<input checked="" type="checkbox"/> 41312	12 - 13 mm	10
	KT 13	<input type="checkbox"/> 41213	<input checked="" type="checkbox"/> 41313	13 - 14 mm	10
	KT 14	<input type="checkbox"/> 41214	<input checked="" type="checkbox"/> 41314	14 - 15 mm	10
	KT 15	<input type="checkbox"/> 41215	<input checked="" type="checkbox"/> 41315	15 - 16 mm	10
	KTs 16	<input type="checkbox"/> 39901	<input checked="" type="checkbox"/> 39912	16 mm	10
	KTs 17	<input type="checkbox"/> 39900	<input checked="" type="checkbox"/> 39913	17 mm	10
KT oval	KT oval	<input type="checkbox"/> 39930	-	approx. 8 × 4 mm	10
KT S1	KT S1	<input type="checkbox"/> 39931	-		10
KT tele	KT tele	<input type="checkbox"/> 39929	-	Telephone cable	10
KT tele1	KT tele1	<input type="checkbox"/> 41257	-	Data cable RJ12	10
KT tele2	KT tele2	<input type="checkbox"/> 41258	-	Data cable RJ10 / RJ45	10

*Only valid for gray product types






KT

Grommets, small, multi



1

Type	Order No gray	Order No black	Clamping range	PU	Description
KT 2 1 NEW	39942	39944	2× Ø 1 mm	10	 KT 2 x
KT 2 2	39935	39936	2× Ø 2 mm	10	
KT 2 3	39939	39940	2× Ø 3 mm	10	
KT 2 4	39906	39907	2× Ø 4 mm	10	
KT 2 5	41200	39904	2× Ø 5 mm	10	
KT 2 6	41201	39905	2× Ø 6 mm	10	
KT 2 7	41202	39916	2× Ø 7 mm	10	
KT 2 8	39917	39918	2× Ø 8 mm	10	
KT 4 2	39937	39938	4× Ø 2 mm	10	 KT 4 x
KT 4 3	39914	39915	4× Ø 3 mm	10	
KT 4 4	39909	39911	4× Ø 4 mm	10	
KT 4 5	39908	39910	4× Ø 5 mm	10	
KT 4 6	39932	39933	4× Ø 6 mm	10	
KT-ASI	39902	39903	1 ASI-cable	10	
KT-ASI2 rl	39922	39924	2 ASI-cables	10	
KT-ASI2 ll	39921	39923	2 ASI-cables	10	
					 KT ASI2 ll

Product Description

Cable grommets KT small are used with the following cable entry frames:

KEL-U/KEL-ER/KEL (8 - 34) | KVT (38 - 42)

The model range KT small is designed for cable diameters from 1 to 17 mm.

Assembly Note

When installing the grommets, the flat side should be facing the middle of the frame. This allows the flat sides of adjacent grommets to match up and provide a secure seal.

Specifications KT gray

Material	Elastomer
Flame class	UL94-Vo
IP rating	KT round, multi: IP54 KT special, multi: IP54
NEMA type rating	NEMA type 12 (acc. to UL 50E)
Temperature	- 40°C to + 90°C (static) - 40°F to + 194°F (static)
Properties	Halogen-free, silicone-free

Specifications KT black

Material	Elastomer
Flame class	UL94-HB
IP rating	KT round, multi: IP54 KT special, multi: IP54
NEMA type rating	NEMA type 12 (acc. to UL 50E)
Temperature	- 30°C to + 90°C (static) - 40°F to + 194°F (static)
Properties	Higher chemical resistance

Accessories

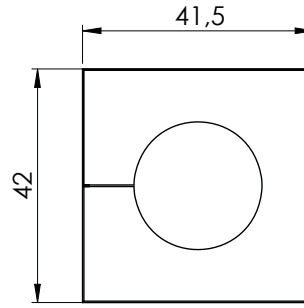
*Only valid for gray product types

KT

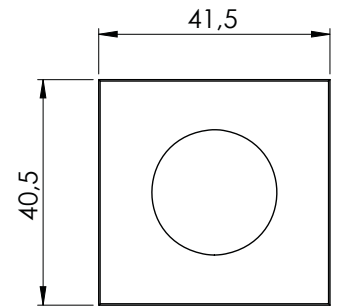
Grommets, large



IP54 IP65



KT / KT-DPF large



KTMB large

1

Product Description

Cable grommets KT large accept a wide range of cable diameters from 16 to 35 mm. They are used with the following cable entry frames:

KEL-U/KEL-ER/KEL-FG/KEL (8 - 36) | KVT (38 - 42)

ATG adapter grommets provide the possibility to hold a small KT grommet to reduce the clamping range down to 1 mm.

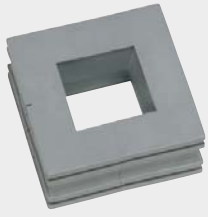

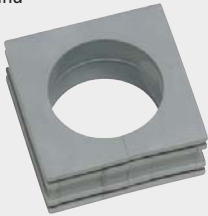
Specifications KT gray

Material	Elastomer
Flame class	UL94-Vo
IP rating	KT round, single: up to IP65 (in combination with KEL-ER frame) ATG/BTG: IP54
NEMA type rating	up to NEMA type 4X (acc. to UL 50E)
Temperature	- 40°C to + 90°C (static) - 40°F to + 194°F (static)
Properties	Halogen-free, silicone-free

Specifications KT black

Material	Elastomer
Flame class	UL94-HB
IP rating	KT round, single: up to IP65 (in combination with KEL-ER frame) ATG/BTG: IP54
NEMA type rating	up to NEMA type 4X (acc. to UL 50E)
Temperature	- 30°C to + 90°C (static) - 40°F to + 194°F (static)
Properties	Higher chemical resistance

Description	Type	Order No. gray	Order No. black	Clamping range	PU
-------------	------	----------------	-----------------	----------------	----

ATG		ATG	<input type="checkbox"/> 41253 <input checked="" type="checkbox"/> 41353	Adapter grommet	10
BTG		BTG	<input type="checkbox"/> 41252 <input checked="" type="checkbox"/> 41352	Blank grommet or 5 - 20 mm	10
KT round		KT 16	<input type="checkbox"/> 41216 <input checked="" type="checkbox"/> 41316	16 - 17 mm	10
		KT 17	<input type="checkbox"/> 41217 <input checked="" type="checkbox"/> 41317	17 - 18 mm	10
		KT 18	<input type="checkbox"/> 41218 <input checked="" type="checkbox"/> 41318	18 - 19 mm	10
		KT 19	<input type="checkbox"/> 41219 <input checked="" type="checkbox"/> 41319	19 - 20 mm	10
		KT 20	<input type="checkbox"/> 41220 <input checked="" type="checkbox"/> 41320	20 - 21 mm	10
		KT 21	<input type="checkbox"/> 41221 <input checked="" type="checkbox"/> 41321	21 - 22 mm	10
		KT 22	<input type="checkbox"/> 41222 <input checked="" type="checkbox"/> 41322	22 - 23 mm	10
		KT 23	<input type="checkbox"/> 41223 <input checked="" type="checkbox"/> 41323	23 - 24 mm	10
		KT 24	<input type="checkbox"/> 41224 <input checked="" type="checkbox"/> 41324	24 - 25 mm	10
		KT 25	<input type="checkbox"/> 41225 <input checked="" type="checkbox"/> 41325	25 - 26 mm	10
		KT 26	<input type="checkbox"/> 41226 <input checked="" type="checkbox"/> 41326	26 - 27 mm	10
		KT 27	<input type="checkbox"/> 41227 <input checked="" type="checkbox"/> 41327	27 - 28 mm	10
		KT 28	<input type="checkbox"/> 41228 <input checked="" type="checkbox"/> 41328	28 - 29 mm	10
		KT 29	<input type="checkbox"/> 41229 <input checked="" type="checkbox"/> 41329	29 - 30 mm	10
		KT 30	<input type="checkbox"/> 41230 <input checked="" type="checkbox"/> 41330	30 - 31 mm	10
		KT 31	<input type="checkbox"/> 41231 <input checked="" type="checkbox"/> 41331	31 - 32 mm	10
		KT 32	<input type="checkbox"/> 41232 <input checked="" type="checkbox"/> 41332	32 - 33 mm	10
		KT 33	<input type="checkbox"/> 41233 <input checked="" type="checkbox"/> 41333	33 - 34 mm	10
		KT 34	<input type="checkbox"/> 41234 <input checked="" type="checkbox"/> 41334	34 - 35 mm	10

NEW

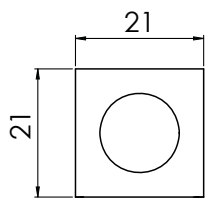
NEW

*Only valid for gray product types



KT-DPF | KTMB

Grommets, Multi-Range



KT-DPF / KTMB small



KT-DPF-B



Product Description

The KT-DPF / KTMB grommets accept a wide range of cable diameters. A great benefit when the exact cable diameter is not known in advance. The KTMB grommets are not split and therefore only usable for cables without connectors. Cutting of KT-DPF grommets: Cable diameter less 20%.

Specifications gray

Material	Elastomer
Flame class	UL94-Vo
IP rating	IP54
NEMA type rating	NEMA type 12 (acc. to UL 50E)
Temperature	- 40°C to + 90°C (static) - 40°F to + 194°F (static)
Properties	Halogen-free, silicone-free

Specifications black

Material	Elastomer
Flame class	UL94-HB
IP rating	IP54
NEMA type rating	NEMA type 12 (acc. to UL 50E)
Temperature	- 30°C to + 90°C (static) - 40°F to + 194°F (static)
Properties	Higher chemical resistance

KMS Cable Template

The correct size of the KT grommets can easily be determined by using the stainless steel cable template.

- Determining the diameter of the cable
- Selecting the KT grommets according to the data on the cable template

Order No. 39800



Type	Order No.	Size KT	Clamping range	PU	Description
KT-DPF-A	41260 (gray) 41360 (black)	KT small	3 - 12 mm	10	 KT-DPF-A
KT-DPF-B	41261 (gray) 41361 (black)	KT large	4 - 18 mm	10	 KT-DPF-C
KT-DPF-C	41262 (gray) 41362 (black)	KT large	14 - 26 mm	10	
KTMB-A	41432	KT small	2.5 - 6.5 mm	10	
KTMB-B	41434	KT small	4 - 7.5 mm	10	
KTMB-C	41436	KT small	6.5 - 10 mm	10	 Cross section KTMB
KTMB-D	41438	KT small	9.5 - 13 mm	10	
KTMB-E	41440	KT small	13 - 16 mm	10	
KTMB-G	41460	KT large	13 - 18 mm	10	 KTMB-I
KTMB-H	41465	KT large	18 - 23 mm	10	
KTMB-I	41470	KT large	23 - 28 mm	10	 KTMB-K
KTMB-J	41475	KT large	28 - 33 mm	10	
KTMB-K	41480	KT large	2x 13 - 18 mm	10	

*Only valid for gray product types

DT

Membrane Cable Grommets



1

Product Description

The DT cable grommets are designed for cables without preassembled connectors. A large number of cables can be routed utilizing minimal space.

DT grommets are designed to fit in KT large grommet spaces of the following products:

KEL-U/KEL (8 - 34) | KVT (38 - 42)

The DT grommets are also perfectly suitable for the assembly of subsequently terminated cable harnesses.

Advantages & Benefits

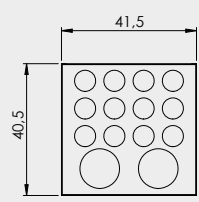
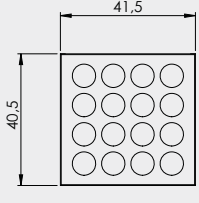
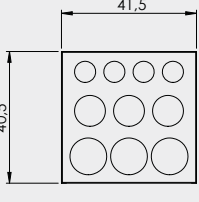
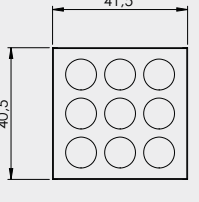
- Combination of routing pre-terminated cables and cables without connectors with one cable entry frame
- Enables subassembly of cable harnesses
- High cable density

Specifications

Material	Elastomer
Flame class	UL94-Vo
IP rating	IP54
NEMA type rating	NEMA type 12 (acc. to UL 50E)
Temperature	- 40°C to + 90°C (static) - 40°F to + 194°F (static)
Properties	Halogen-free, silicone-free

Accessories

ST-B Plugs 78

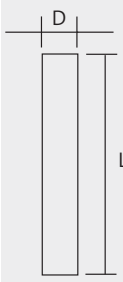
Description	Type	Order No.	Number of cables	PU
	DT 1	41500	12× max. 6.5 mm 2× max. 12.2 mm	10
	DT 2	41510	16× max. 7.1 mm	10
	DT 3	41520	4× max. 6.5 mm 3× max. 9.5 mm 3× max. 11.3 mm	10
	DT 4	41530	9× max. 9.5 mm	10

ST

Plugs for Cable Grommets



Type	Order No.	Diameter D	Length L	PU	Description
------	-----------	---------------	-------------	----	-------------

ST 1	42900	1 mm	25 mm	25	
ST 2	42909	2 mm	25 mm	25	
ST 3	42901	3 mm	25 mm	25	
ST 4	42908	4 mm	25 mm	25	
ST 5	42906	5 mm	25 mm	25	
ST 6	42903	6 mm	25 mm	25	
ST 7	42905	7 mm	25 mm	25	
ST 8	42899	8 mm	20 mm	25	
ST 9	42897	9 mm	20 mm	25	
ST 10	42895	10 mm	20 mm	25	
ST 11	42893	11 mm	20 mm	25	
ST 12	42891	12 mm	20 mm	25	
ST 13	42889	13 mm	20 mm	25	
ST 14	42887	14 mm	20 mm	25	
ST 15	42885	15 mm	20 mm	25	
ST 16	42883	16 mm	20 mm	25	
ST 17	42881	17 mm	20 mm	25	
ST ASI	42877	-	25 mm	25	

Product Description

Plugs are used to close either KT or QT grommets which are not equipped with cables. IP ratings of the grommets remain.

Perfect for applications where cables have been removed or might be routed at a later stage.

Advantages & Benefits

- Sealing unused cable grommets

Specifications

Material	Polyamide (PA), white
Flame class	UL94-Vo
IP rating	IP rating of grommets remains
NEMA type rating	NEMA type 12 (acc. to UL 50E)
Temperature	- 40°C to + 120°C - 40°F to + 248°F
Properties	Halogen-free, silicone-free

Compatible with

KT Cable grommets	44 - 46
QT Cable grommets	56 - 57



KEL-QUICK

Cable Entry Frames for Quick Assembly*



Cover lid is simply snapped onto the frame.



Tool-free mounting with KEL-SNAP frame.



Slit QT grommets

1

Fig. shows new version



Description	Type	Order No.	Cut-out [mm]	Grommets	PU
-------------	------	-----------	--------------	----------	----

Product Description

The KEL-QUICK range is a compact system to route and seal pre-terminated cables as well as conduits or pneumatic hoses utilising split QT grommets. After populating the entry frame with QT grommets and cables, the cover lid is snapped onto the frame without using tools. The KEL-QUICK frames match exactly the cut-out dimensions for 24-, 16- and 10-pin standard industrial connectors. The KEL-QUICK-B matches cut-out dimensions of 36x46 mm. KEL-QUICK frames can either be screw mounted or simply snapped into the KEL-SNAP frame. A flat rubber gasket is included in the shipment.

Advantages & Benefits

- Fast and easy assembly and when used with the KEL-SNAP frame, mounting without tools possible
- Warranty on pre-terminated cables remains
- Retrofits, repairs and maintenance can be done much more easily and quickly
- High cable density, wide variety of grommets

Specifications

Material	Polyamide (PA)
Flame class	UL94-V0
IP Rating	IP54, with gasket and correct selection of the cable grommets
Temperature	- 40°C to + 140°C (static) - 40°F to + 284°F (static)
Properties	Halogen-free, silicone-free
Mounting template	See Page 200 - 201
Frame depth	17 mm

Accessories

QT Cable grommets	56 - 57
KEL-SNAP Mounting frames	31
KEL-EMC Grounding mounts	126 - 128
KDR Gland plates	146 - 155
FP Flange plates	160 - 165
MP Module plates	156 - 157
ST Plugs	49

	KEL-QUICK 24 10	42410	36 × 112	10 QT	10
	KEL-QUICK 16 8	42418	36 × 86	8 QT	10
	KEL-QUICK 10 6	42420	36 × 65	6 QT	10
	KEL-QUICK-B4	42434	36 × 46	4 QT	10

* New generation available from November 2017

BPK-SNAP

Blank Plates for KEL-SNAP Frames



Product Description

Blank plate BPK-SNAP to close cut-outs of preassembled KEL-SNAP frames.

A snap frame can be closed, i.e. during transport to avoid entry of dust, as long as a KEL frame is not mounted.

The BPK-SNAP blank plate is simply snapped on the KEL frame. There is no tool needed to remove it.

BPK-SNAP 16 and BPK-SNAP 24 for closing cut-outs of the KEL-SNAP mounting frames and unused Slide frames of the KDR-ESR gland plates.

Specifications

Material	Polyethylene (PE)
Flame class	UL94-HB
IP rating	IP54
Temperature	- 40°C to + 80°C (static)
Properties	Silicone free

Compatible with

KEL-SNAP Mounting frames	31
KDR-ESR Gland plate with	
Slide frames	146 - 149

Type	Order No.	Blank plate compatible with	Dimensions l × b × h	PU
BPK-SNAP-B	42003	KEL-SNAP-B4	58 × 72.8 × 17 mm	10
BPK-SNAP 10	42004	KEL-SNAP 10	58 × 98.3 × 17 mm	10
BPK-SNAP 16	42007	KEL-SNAP 16	58 × 120 × 17 mm	10
BPK-SNAP 24	42017	KEL-SNAP 24	58 × 147 × 17 mm	10